

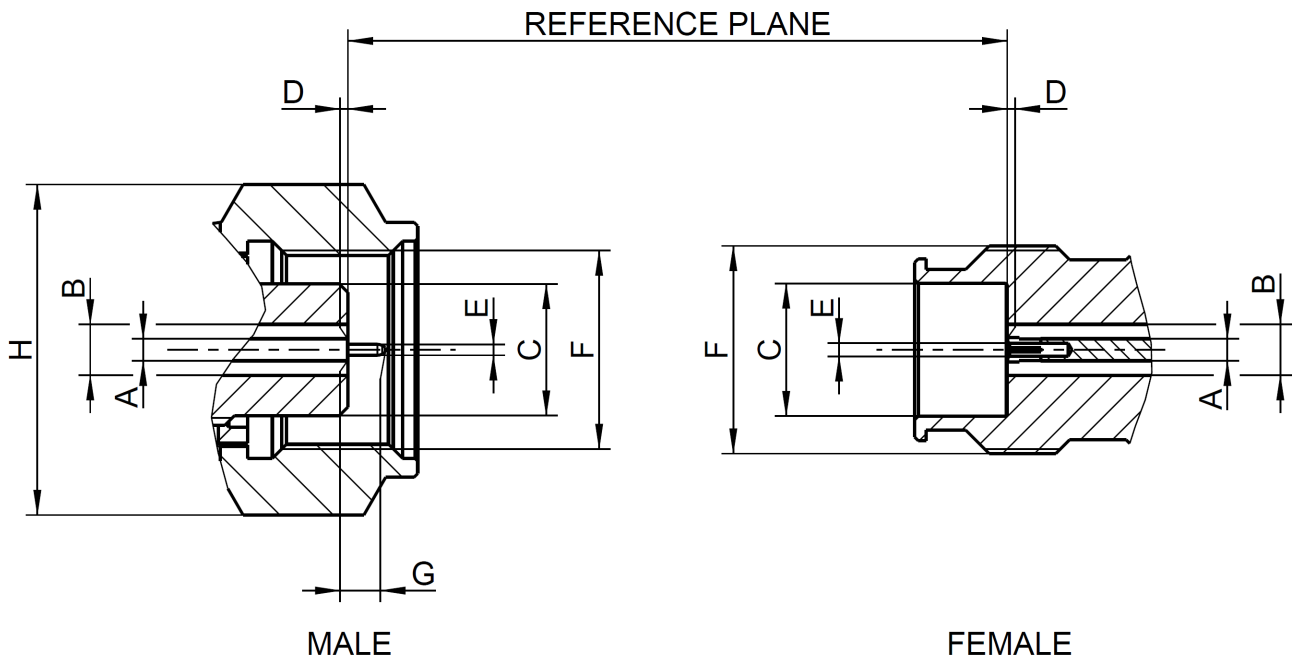
Technical Data

Rosenberger

P9

RPC-1.35

P9-000-000_TD



All dimensions are in mm

	Plug (male)		Jack (female)	
	min.	max.	min.	max.
A ¹⁾	0.576	0.596	0.576	0.596
B ¹⁾	1.34	1.36	1.34	1.36
C	3.48	3.49	3.50	3.52
D ¹⁾	0.003	0.05	0.003	0.05
E	0.283	0.297	see ²⁾	
F	M5.5 x 0.5 - 6H		M5.5 x 0.5 - 6g	
G	0.9	1.1	---	----
H	hex 8		---	

¹⁾ could be divergent for metrology components

²⁾ Slotted contact; dimensions to meet reflection factor requirements, mating characteristics and connector durability when mated with a 0.2743 mm to 0.2997 mm pin.

Interface

According to

IEC 61169-65

Dieses Dokument ist urheberrechtlich geschützt • This document is protected by copyright • Rosenberger Hochfrequenztechnik GmbH & Co. KG

RFB00035

Draft	Date	Approved	Date	Rev.	Engineering Change Number	Name	Date
F. Reiner	04.05.20	H. Babinger	21.04.21	100	20-1427	G. Schiele	21.04.21
Rosenberger Hochfrequenztechnik GmbH & Co. KG P.O. Box 1260 D-84526 Tittmoning Germany www.rosenberger.com					Tel. : +49 8684 18-0 Email : info@rosenberger.com		Page 1 / 2

Technical Data**Rosenberger**

P9

RPC-1.35

P9-000-000_TD**Electrical data**

Impedance	50 Ω
Frequency range	DC to 90 GHz
Return loss	see individual product data sheet
Insertion loss	see individual product data sheet
Insulation resistance	≥ 5 GΩ
Proof voltage (at sea level)	500 V rms or as limited by used cable
Working voltage (at sea level)	150 V rms or as limited by used cable
RF-leakage	≥ 90 dB up to 1 GHz

Mechanical data

Mating cycles	≥ 3000
Center contact captivation	≥ 10 N
Coupling torque recommended	0.80 Nm to 1.00 Nm
Coupling test torque	1.65Nm

Environmental data

Temperature range	-40 °C to +85 °C
Corrosion resistance	IEC 61169-1, Subclause 9.4.10
Vibration	IEC 61169-1, Subclause 9.3.3
Shock	IEC 61169-1, Subclause 9.3.14
Moisture resistance	IEC 61169-1, Subclause 9.4.3
RoHS	compliant

Materials ³⁾**Connector parts**

	Material	Plating
Center contact	CuBe	gold-plated
Outer contact	CuBe or equiv.	gold-plated
Dielectric	PEEK	

³⁾ These are standard materials from which deviations are possible. Please see individual product datasheet for used materials

While the information (including technical data) has been carefully compiled to the best of our knowledge at the time of publication, the information is provided "AS IS" without warranties of any kind either express or implied. Apart from this, no statement herein shall be construed as recommendation to infringe existing patents. Individual values may deviate depending upon circumstances including but not limited to application, design, type of cable, assembly and workmanship. Furthermore, we reserve the right to change the design and technical specification of our products when deemed necessary.

Draft	Date	Approved	Date	Rev.	Engineering Change Number	Name	Date
F. Reiner	04.05.20	H. Babinger	21.04.21	100	20-1427	G. Schiele	21.04.21
Rosenberger Hochfrequenztechnik GmbH & Co. KG P.O. Box 1260 D-84526 Tittmoning Germany www.rosenberger.com					Tel. : +49 8684 18-0 Email : info@rosenberger.com		Page 2 / 2